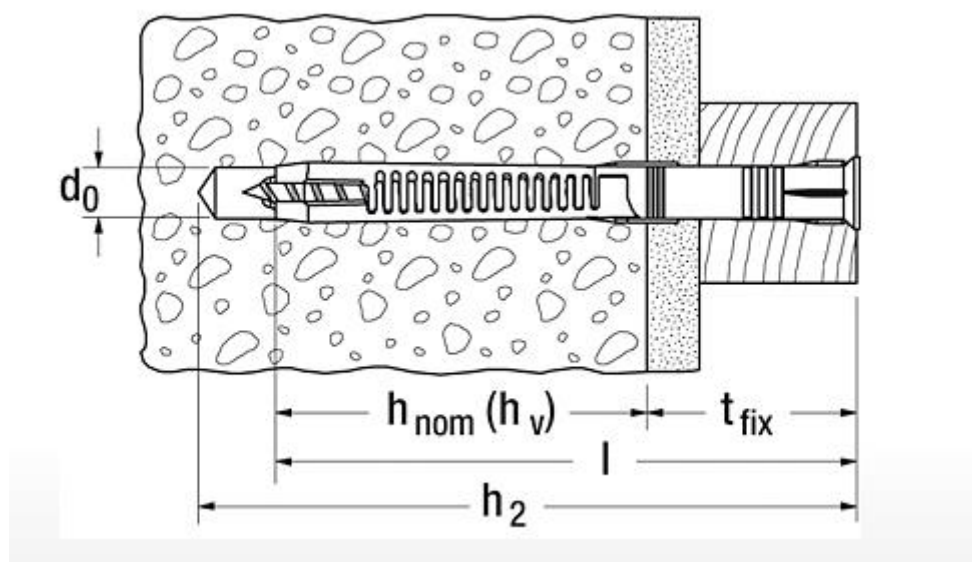


Дюбели рамкови,к-кт с болт патентен

FUR 10 x 160 SS K NV, блистер



Drill hole diameter	d_0	10	[mm]
Anchor length	l	160	[mm]
Min. drill hole depth	h_1	170	[mm]
Min. drill hole depth for through fixings	h_2	170	[mm]
Min. anchorage depth	$h_{nom} (h_v)$	70	[mm]
Max. fixture thickness	t_{fix}	90	[mm]
Drive		SW13	
fischer safety screw	$d_s \times l_s$	7 x 165	[mm]
Card contents		4 x FUR 10 x 160 SS, 4 x safety screw 7 x 165 SW13	
Sales unit		10	[pcs]
GTIN (EAN Code)		4006209909423	